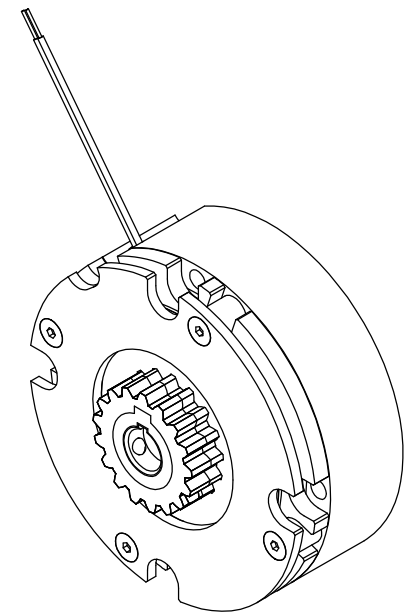
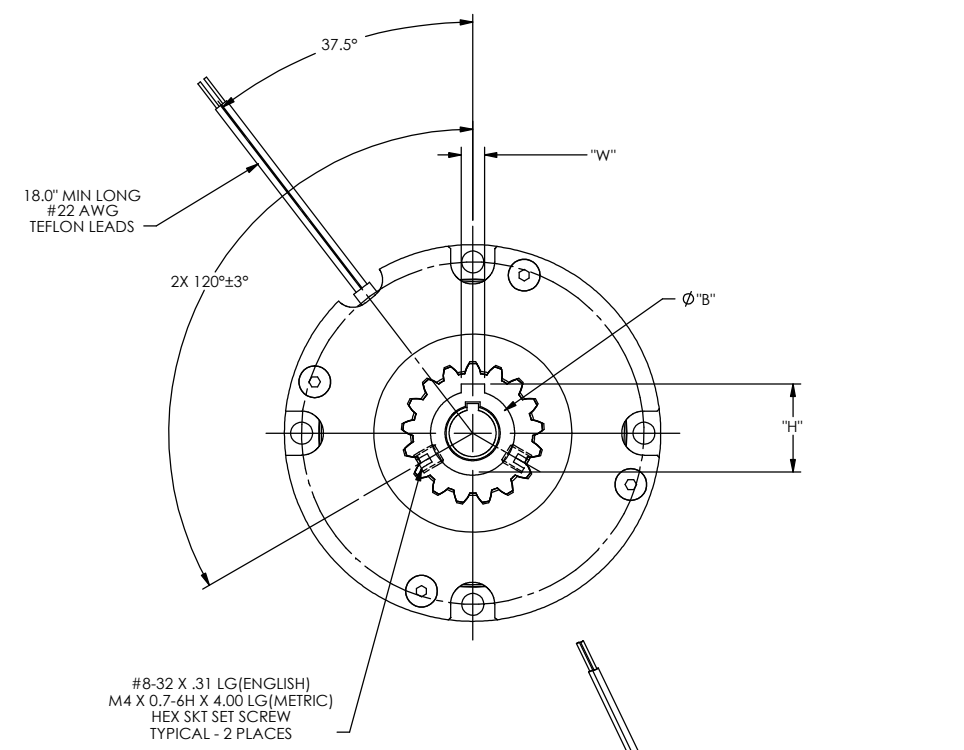
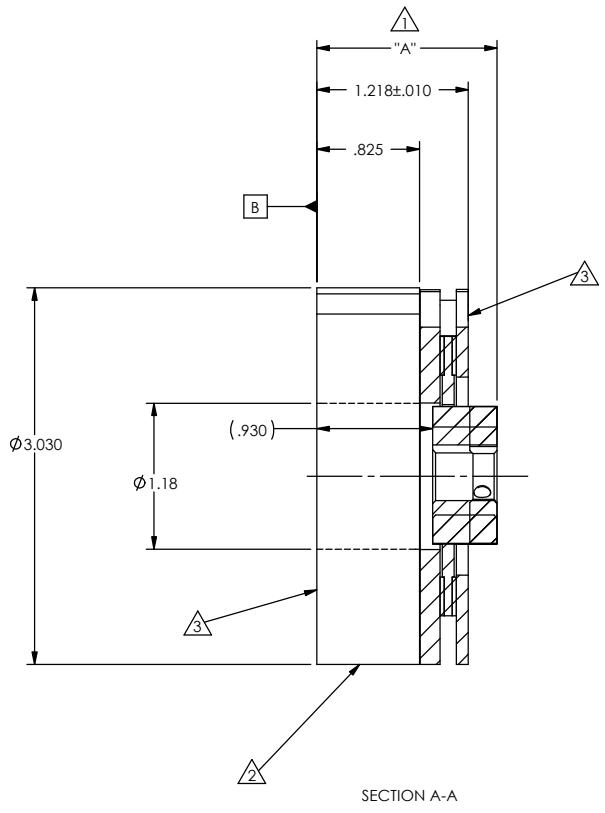
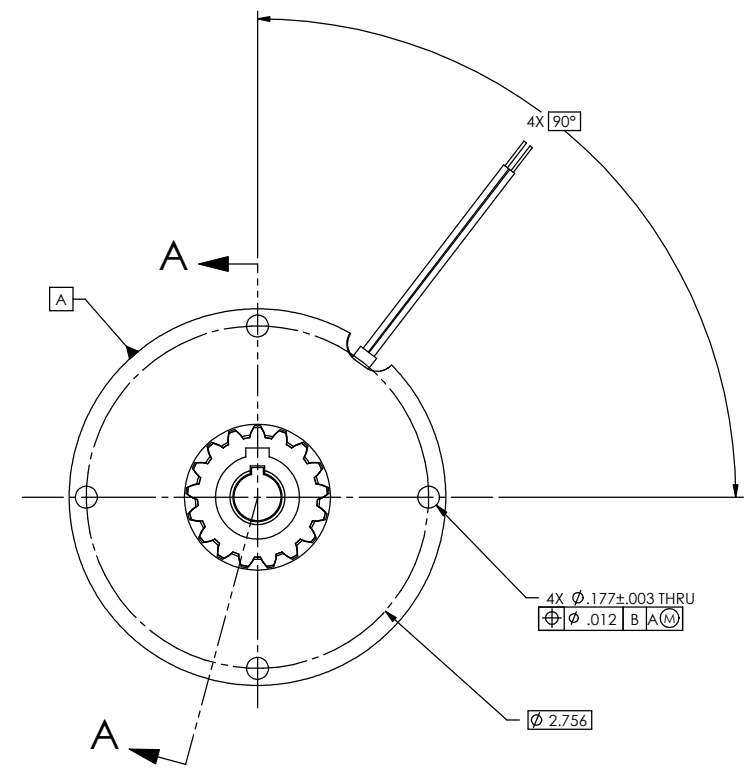


MODEL NUMBER	ØB	H	W	A	VOLTAGE	MODEL NUMBER	ØB	H	W	A	VOLTAGE
SB-28-24-E06S	.3750	.425	.0938	1.218±.010	24 VDC	SB-28-24-M10S	.3941	.4490	.1181	1.218±.010	24 VDC
SB-28-24-E08S	.5000	.564	.1250			SB-28-24-M12S	.4730	.5434	.1574		
SB-28-24-E10S	.6250	.709	.1880			SB-28-24-M16S	.6304	.7206	.1968		
SB-28-24-E06L	.3750	.425	.0938	1.45	24 VDC	SB-28-24-M10L	.3941	.4490	.1181	1.45	24 VDC
SB-28-24-E08L	.5000	.564	.1250			SB-28-24-M12L	.4730	.5434	.1574		
SB-28-24-E10L	.6250	.709	.1880			SB-28-24-M16L	.6304	.7206	.1968		
SB-28-90-E06S	.3750	.425	.0938	1.218±.010	90 VDC	SB-28-90-M10S	.3941	.4490	.1181	1.218±.010	90 VDC
SB-28-90-E08S	.5000	.564	.1250			SB-28-90-M12S	.4730	.5434	.1574		
SB-28-90-E10S	.6250	.709	.1880			SB-28-90-M16S	.6304	.7206	.1968		
SB-28-90-E06L	.3750	.425	.0938	1.45	90 VDC	SB-28-90-M10L	.3941	.4490	.1181	1.45	90 VDC
SB-28-90-E08L	.5000	.564	.1250			SB-28-90-M12L	.4730	.5434	.1574		
SB-28-90-E10L	.6250	.709	.1880			SB-28-90-M16L	.6304	.7206	.1968		

REVISIONS					
REV	ECO	DESCRIPTION	DATE	BY	CHECKED
		NEW DRAWING			
		ADDED ROHS STAMP	8/13/2013	JFH	

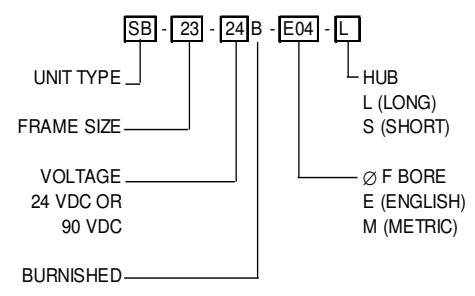


ASSEMBLY AND ALL COMPONENTS MUST MEET EU DIRECTIVE 2002/95/EC (RoHS)

TECHNICAL DATA @ 25°C		
STATIC TORQUE (BURNISHED) MIN	80 LB-IN	
COIL DATA:	(24 V _{DC})	(90 V _{DC})
VOLTAGE (V _{DC})	21.6 / 26.4	81.0 / 99.0
RESISTANCE (OHMS)	36±10%	440±10%
POWER (WATTS) MAX	(20.0 @ 24 V _{DC})	(23.5 @ 90 V _{DC})
CURRENT (mA) MAX	(.57 @ 24 V _{DC})	(.14 @ 90 V _{DC})
PULL-IN VOLTAGE (V _{DC}) MAX	16	60
PULL-IN TIME (ms) MAX	50 @ 26.4V _{DC}	50 @ 100V _{DC}
DROP-OUT TIME (ms) MAX	40 @ 21.6V _{DC}	40 @ 80V _{DC}
DIELECTRIC STRENGTH	500 VAC - 60 HZ - 1 MIN	
INSULATION RESISTANCE	100 MEGOHMS MIN @ 500 VDC	
BRAKE ROTOR / HUB INERTIA (LB-IN-S ²)	(1.06e-04)	
BRAKE WEIGHT (LB)	(1.8)	

- NOTES:
- 1 DIMENSION INCLUDES NOMINAL .020 AXIAL HUB - ARMATURE CLEARANCE
 - 2 STANDARD LABEL PER MSI 000-0109, METHOD A, C, OR D, CLASS 4
 - 3 BRAKE CAN BE MOUNTED ON EITHER FACE.

PART NUMBERING SYSTEM



THIRD ANGLE PROJECTION		UNLESS OTHERWISE SPECIFIED: DIMENSIONS ARE IN INCHES. DIAMETERS CONCENTRIC .003 TIR. FACES PERPENDICULAR .003 INTERPRETATION PER ASME Y14.5M-1994.		PARTS LIST	
<small>THE INFORMATION CONTAINED IN THIS DRAWING IS THE SOLE PROPERTY OF THOMSON DELTRAN. ANY REPRODUCTION IN PART OR WHOLE WITHOUT THE WRITTEN PERMISSION OF THOMSON DELTRAN IS PROHIBITED.</small>	FRACTIONS	DECIMALS	ANGLES	APPROVALS	DATE
	±1/64	.00 ±.01	±30°	DRAWN	1-31-2005
HEAT TREAT	.000 ±.005	MACHINE SURFACES		CHECKED	4/01/05
FINISH				DES ENG	4/01/05
				GCR	
				MFG ENG	
				QUAL ENG	

THOMSON DELTRAN

BRAKE ASSEMBLY

SIZE DWG. NO. SB-28 CATALOG

SCALE 1:1 SHEET 1 OF 1 CODE IDENT: 58655