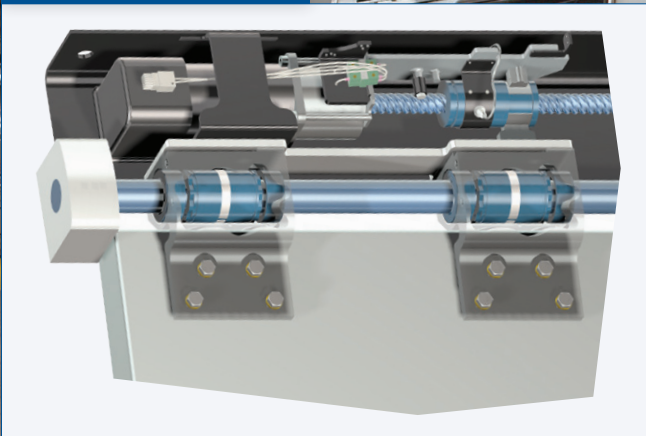


THOMSON ACTUATORS



Thomson Linear Solutions for Mass Transit Doors

Thomson has supplied standard and custom linear motion solutions to the transportation industry for over 70 years. Examples include mass transit door applications for the London Underground, Washington D.C. Metro Subway, and San Francisco BART.

Applications/Solutions.

Doors for light and heavy rail, bus and passenger coach using a combination of Thomson Ball Bushing® Bearings, 60 Case™ Shafting and Thomson Lead Screws.

Requirements.

- Smooth motion even under high car deflection
- Speed and accuracy of movement
- Resistance to moisture, corrosion and contamination
- High rigidity
- Consistent low coefficient of friction
- Long life with low/zero maintenance
- Fast global availability of replacement parts

Super Smart Linear Ball Bushing® Bearings.

Increase your maintenance cycle time by using the highest-load, longest-lasting ball bushing bearing available. High performance integral wipers keep contaminants out. Lube for Life option offers a maintenance-free solution for the life of the bearings. Corrosion-resistant options available.

Thomson 60 Case® Shafting.

The highest-quality shafting available. Rounder, straighter, smoother shafting extends the life of your application. Corrosion-resistant options available.

Lead Screws.

Stainless steel construction provides corrosion resistance and long life. High performance polymer nut for long life and zero maintenance.

Custom Solutions Are Routine.

Fast modifications to the widest product offering in the industry and white-sheet designs available.

Thomson Super Smart Ball Bushing® Bearings



Load Life Advantage for New and Replacement Applications.

- Offers 2x the load capacity or 8x the travel life of a "Super" style linear bearing
- Offers 6x the load capacity or 216x the travel life of conventional linear bearings

Patented Universal Self-Alignment.

- Enables smooth running, minimizes installation time
- Compensates for misalignment of housing bores and linear race shaft deflection

Sizes and Types.

- Imperial sizes ½" – 1½"
- ISO metric 16 – 40 mm
- JIS metric 16 – 40 mm
- Closed and open

Thomson 60 Case® Shaftings



The Highest-Quality Shafting Available.

Genuine Thomson LinearRace shafting is rounder, straighter and smoother than commonly available imitations, extending the life of your application by up to 50% when used with genuine Thomson Ball Bushing Bearings.

- Available in corrosion-resistant options including chrome-plated, Armoloy™-plated, zinc-plated, black oxide and stainless steel.
- Complete range of special machining available.

Sizes and Types.

- Imperial sizes ¾" – 4"
- Metric 5 – 80 mm
- Carbon and stainless steel
- End and continuously supported

Thomson Lead Screws



- Precision roll-formed lead screws provide a superior surface finish, promoting long life
- Excellent corrosion resistance from 300 Series stainless steel
- High-performance polymer nut construction allows operation without lubrication and resists contamination for long life with zero maintenance
- High lead angle threadform provides fast motion and back-drive ability
- Flexible nut design enables compact, multifunctional mounting configurations