

Motor Mounting on a Linear Motion System or Precision Linear Actuator with RediMount™ Flange

Installation Manual

Edition 2019-06



Version history

Edition	Reason for revision
2018-07	First edition
2019-06	Tightening torque values in the table updated.

Disclaimer

Technical changes to improve the performance of the equipment may be made without prior notice!

All rights reserved. No part of this work may be reproduced in any form (by printing, photocopying, microfilm or any other method) or processed, copied or distributed by electronic means without the written permission of Thomson.

Support

If technical support or information is needed for this product, please contact the nearest Thomson Service Center. See the back of this manual. You can also visit www.thomsonlinear.com for information on this product and how to contact us.

Safety notes



- Only properly qualified personnel are permitted to perform mechanical and electrical installation of this product. Properly qualified personnel are familiar with mechanical or electrical installation work and have the appropriate qualifications for their job.
- Read this manual and any other available documentation before working on the equipment that the unit is or shall be a part of.
- Conform strictly to the information contained in this manual.
- Never work on the unit or its installation with the power on.
- Never unplug any cables or connectors during operation or with power on.
- Immediately stop using the unit if it seems faulty or damaged in any way and notify an appropriate person so that corrective actions can be taken.

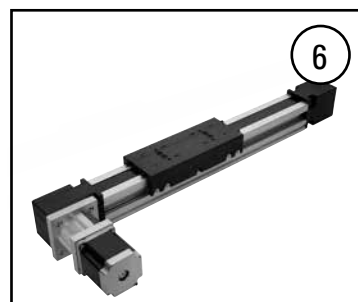
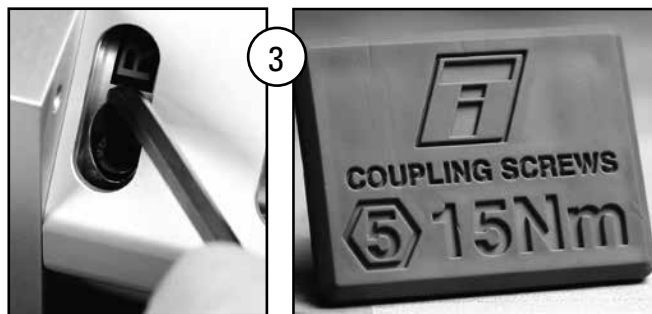
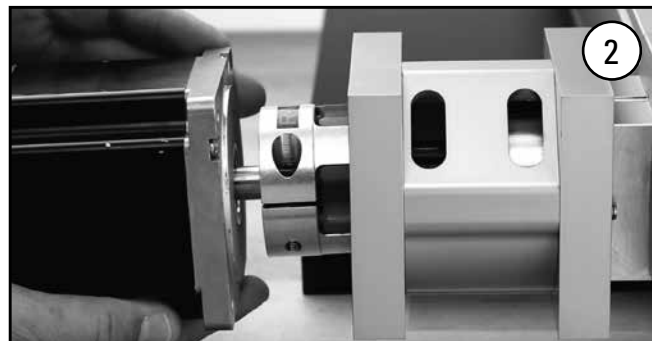
1. Mounting of a motor to the RediMount™ flange

1.1 Motor mounting

1. Locate the plastic bag containing a coupling half, four screws and a plastic plug, that are enclosed with all linear motion systems and precision linear actuators with RediMount.
2. Put the coupling half in the bag on to the motor shaft and push them in to the flange to join the coupling halves.
3. Secure the coupling to the motor shaft using an Allen key to tighten the hexagon screw in coupling half on the motor side of the flange. The correct Allen key size and tightening torque can be found on the plastic plug (picture shows size 5 mm with 15 Nm tightening torque).
4. Tighten the screws securing the motor flange to the RediMount flange. See table below for the torque tightening specification based on the screw size. We recommend to use a removable thread lock adhesive to secure the screws.

Screw size		Tightening torque [Nm]
Metric	Inch	
M3		0.82
M4		2.80
M5		3.90
M6		6.70
M8		16.50
M10		32.30
M12		55.70
M14		87.50
	3/8-16	30.00

5. To seal the interior of the flange, press the plastic plug into the holes that form the coupling access windows.
6. Make a final inspection and test the unit before taking it in to operation.



USA, CANADA and MEXICO

Thomson
203A West Rock Road
Radford, VA 24141, USA
Phone: 1-540-633-3549
Fax: 1-540-633-0294
E-mail: thomson@thomsonlinear.com
Literature: literature.thomsonlinear.com

EUROPE**United Kingdom**

Thomson
Office 9, The Barns
Caddsdow Business Park
Bideford, Devon, EX39 3BT
Phone: +44 (0) 1271 334 500
E-mail: sales.uk@thomsonlinear.com

Germany

Thomson
Nürtinger Straße 70
72649 Wolfschlugen
Phone: +49 (0) 7022 504 403
Fax: +49 (0) 7022 504 405
E-mail: sales.germany@thomsonlinear.com

France

Thomson
Phone: +33 (0) 243 50 03 30
Fax: +33 (0) 243 50 03 39
E-mail: sales.france@thomsonlinear.com

Italy

Thomson
Via per Cinisello 95/97
20834 Nova Milanese (MB)
Phone: +39 0362 366406
Fax: +39 0362 276790
E-mail: sales.italy@thomsonlinear.com

Spain

Thomson
E-mail: sales.esm@thomsonlinear.com

Sweden

Thomson
Estridsväg 10
29109 Kristianstad
Phone: +46 (0) 44 24 67 00
Fax: +46 (0) 44 24 40 85
E-mail: sales.scandinavia@thomsonlinear.com

ASIA**Asia Pacific**

E-mail: sales.apac@thomsonlinear.com

China

Thomson
Rm 2205, Scitech Tower
22 Jianguomen Wai Street
Beijing 100004
Phone: +86 400 6661 802
Fax: +86 10 6515 0263
E-mail: sales.china@thomsonlinear.com

India

Thomson
c/o Portescap India Pvt Ltd
1 E, first floor, Arena House
Road no 12, Marol Industrial Area,
Andheri (E), Mumbai 400093 India
E-mail: sales.india@thomsonlinear.com

Japan

Thomson
Minami-Kaneden 2-12-23, Suita
Osaka 564-0044
Phone: +81-6-6386-8001
Fax: +81-6-6386-5022
E-mail: csjapan@scgap.com

South Korea

Thomson
3033 ASEM Tower (Samsung-dong)
517 Yeongdong-daero
Gangnam-gu, Seoul, South Korea (06164)
Phone: + 82 2 6001 3223 & 3244
E-mail: sales.korea@thomsonlinear.com

SOUTH AMERICA**Brasil**

Thomson
Av. João Paulo Ablas, 2970
Jardim da Glória - Cotia SP - CEP: 06711-250
Phone: +55 11 4615 6300
E-mail: sales.brasil@thomsonlinear.com